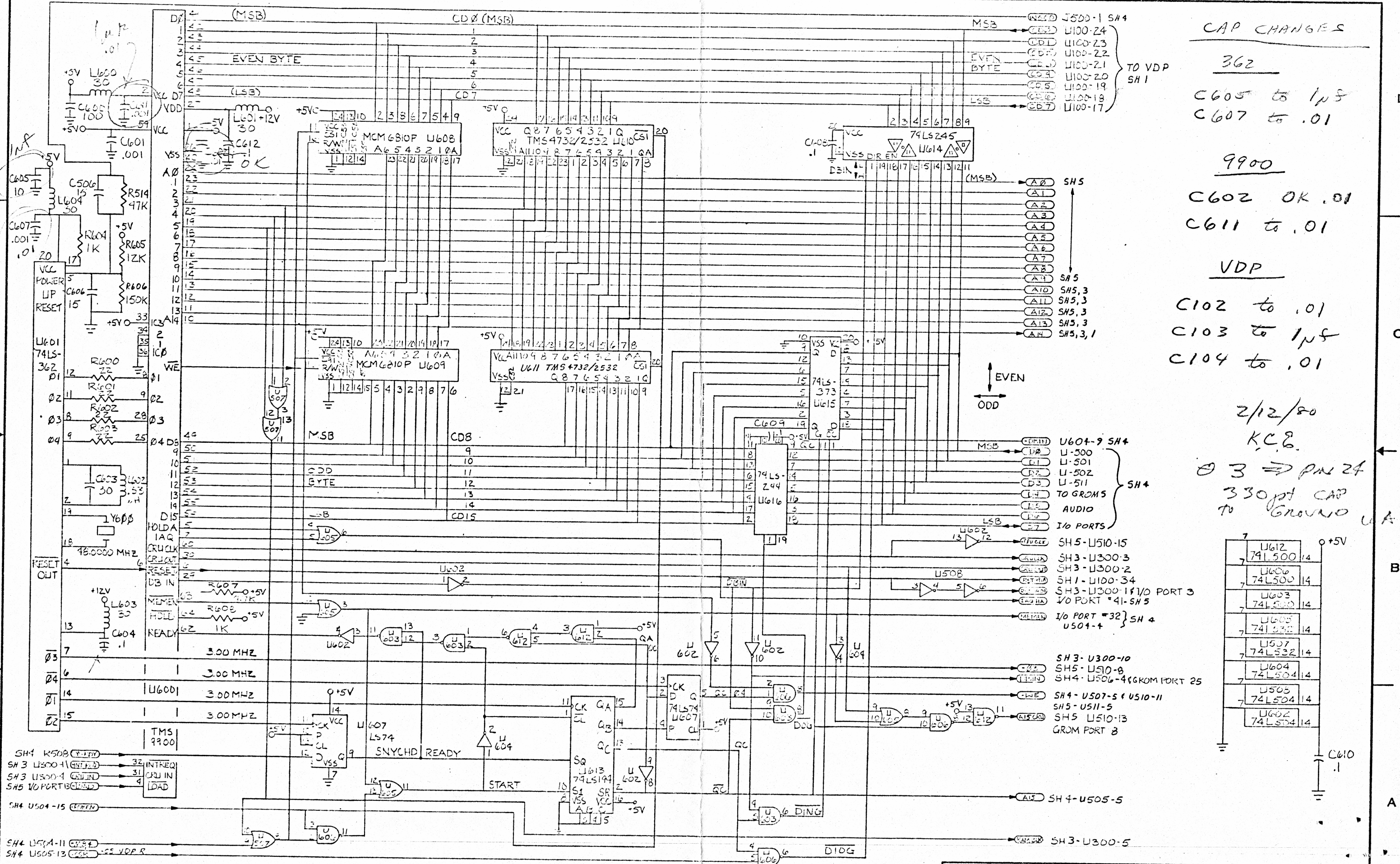


SHT4 C503 (ENDOUT)

QTY REQD	ITEM NO	PART OR IDENTIFYING NUMBER	NOMENCLATURE OR DESCRIPTION	REMARKS
2	1			
1				

PARTS LIST		DATE
UNLESS OTHERWISE SPECIFIED	OWN	DATE
• DIMENSIONS ARE IN INCHES	CHK	79-12-25
• TOLERANCES	DESIGNER	
• ANGLES =	QA	
• 3 PLACE DECIMALS =	APVD	
• 2 PLACE DECIMALS =	PRODUCT ENG	
• DIMENSIONING IN ACCORDANCE	DESIGN ACTIVITY RELEASE	
WITH ANSI Y4.5		
MATERIAL:		

TXS INSTRUMENTS INCORPORATED CALCULATOR PRODUCTS DIVISION
ELECTRONIC SCHEMATIC DIAGRAM PRODUCT 156 TI 9914
SUP DWG: D SIZE: DRAWING NO: 1015939
SCALE: N/A REV: LTR: SHEET 1 OF 5



CAP CHANGES
 362
 C605 to 1µF
 C607 to .01

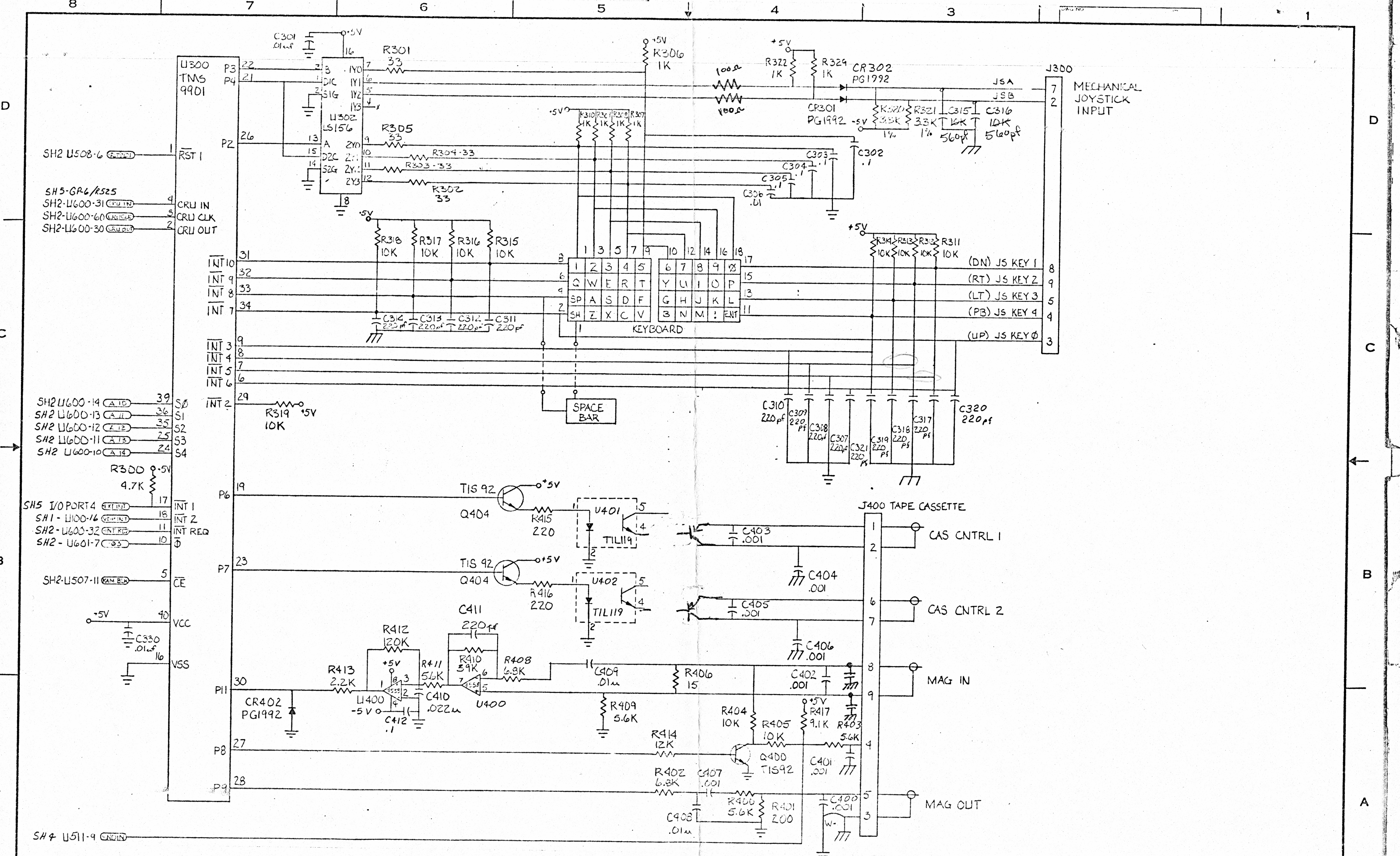
9900
 C602 OK .01
 C611 to .01

VDP
 C102 to .01
 C103 to 1µF
 C104 to .01

2/12/80
 K.C.B.
 03 ⇒ PM 24
 330µF CAP
 TO GROUND U.A

- U612 74LS194 14
- U606 74LS194 14
- U603 74LS194 14
- U605 74LS194 14
- U607 74LS194 14
- U604 74LS194 14
- U608 74LS194 14
- U609 74LS194 14
- U610 74LS194 14
- U611 74LS194 14
- U613 74LS194 14
- U614 74LS194 14
- U615 74LS194 14
- U616 74LS194 14
- U617 74LS194 14
- U618 74LS194 14
- U619 74LS194 14
- U620 74LS194 14
- U621 74LS194 14
- U622 74LS194 14
- U623 74LS194 14
- U624 74LS194 14
- U625 74LS194 14
- U626 74LS194 14
- U627 74LS194 14
- U628 74LS194 14
- U629 74LS194 14
- U630 74LS194 14
- U631 74LS194 14
- U632 74LS194 14
- U633 74LS194 14
- U634 74LS194 14
- U635 74LS194 14
- U636 74LS194 14
- U637 74LS194 14
- U638 74LS194 14
- U639 74LS194 14
- U640 74LS194 14

- SH4 U508 (CPV)
- SH3 U300-1 (INTREQ)
- SH3 U300-4 (CPU IN)
- SH5 I/O PORT B (D)
- SH4 U504-15 (MEMEN)
- SH4 U504-11 (CWE)
- SH4 U505-13 (CWE)

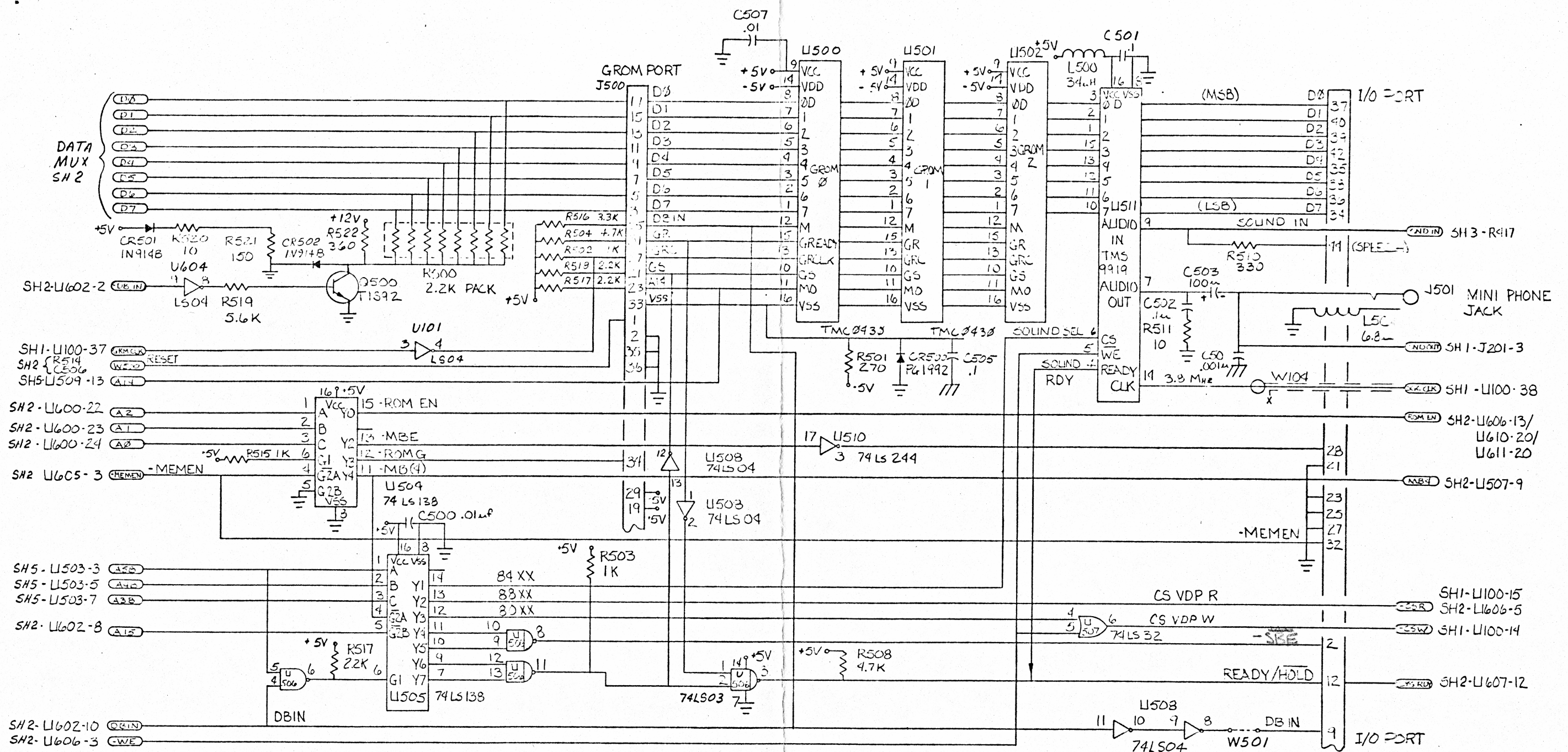


D

C

B

A



8 7 6 5 4 3 2 1

D

D

C

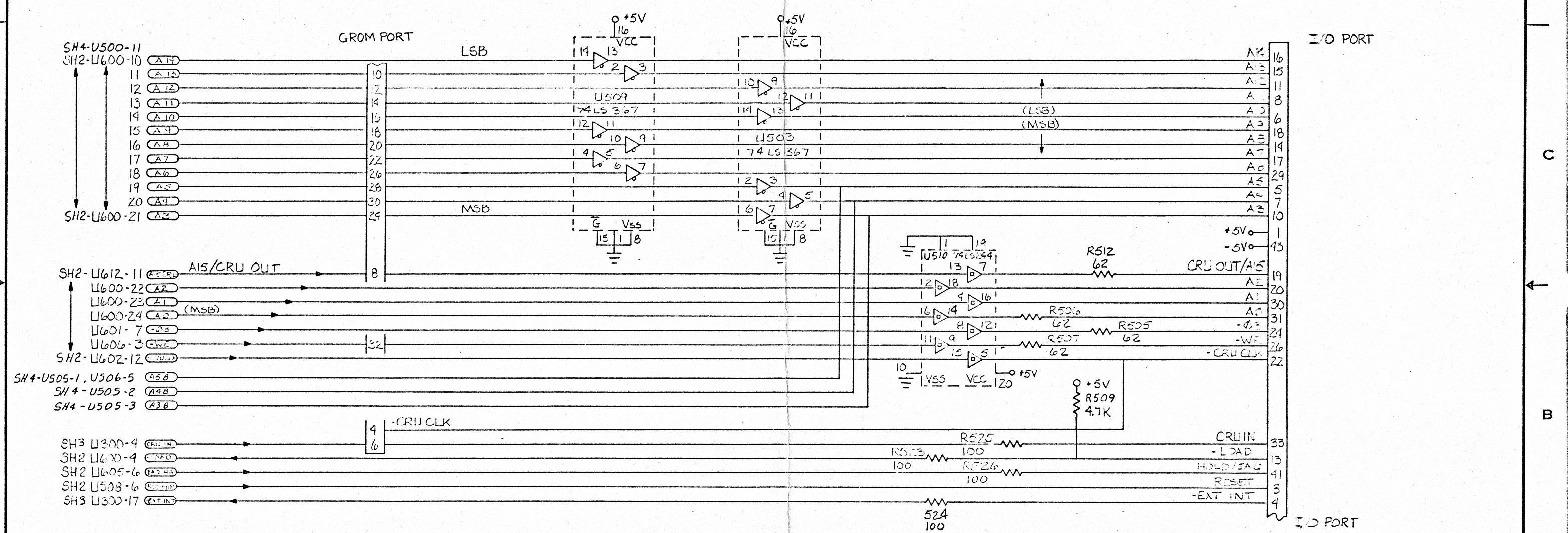
C

B

B

A

A



8 7 6 5 4 3 2 1